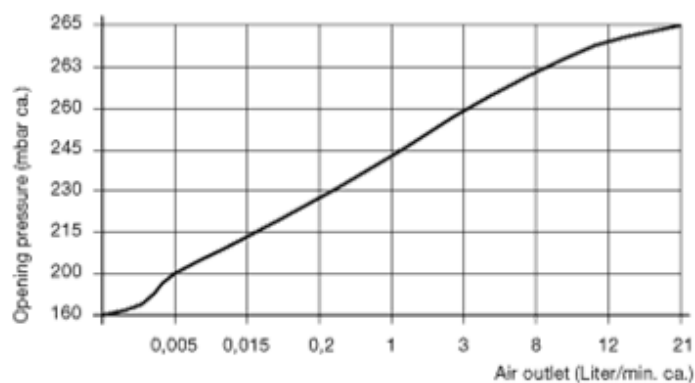
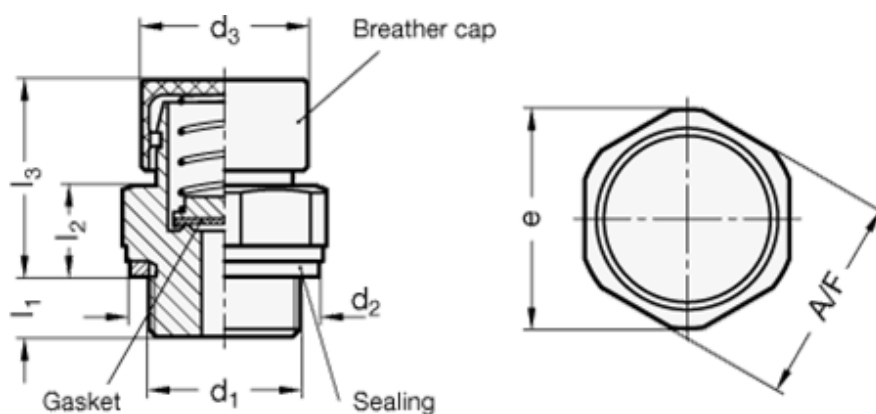


# Data Sheet



Article number: 20881G38200MSM  
Description: E+G  
Breather valve, - G 3/8"

## Measures



A/F	= 22
d2	= 23
d3	= 22
e	= 23.5
l1	= 8.5
l2	= 11.5
l3	= 26.5
Thread d1	= G 3/8"